

The materials and information provided via this brochure are distributed internationally, but not all the products or services found on this brochure are necessarily available in your country or area. Please contact local office or agents to make sure of the availability of the relevant products or services.

Mindray Medical Netherlands B.V.
Drs.W.van Royenstraat 8, 3871 AN Hoevelaken, The Netherlands
Voice: (31-33) 254-4911
Fax: (31-33) 253-4280

Mindray Medical Italy S.r.l.
Via Leonardo DA Vinci, 158, 20090 Trezzano Sul Naviglio (MI), Italy
Voice: (39-02) 5737-401
Fax: (39-02) 5523-2018

Mindray Medical España S.L.
Avenida Manoteras 38, Edificio B, Bajo B008. 28050-Madrid Spain
Voice: (34-91) 392-3754
Fax: (34-91) 392-3756

Mindray Medical Germany GmbH
Zwischen den Bächen 4, 64625 Bensheim, Germany
Voice: (49) 6251-17524-0
Fax: (49) 6251-17524-20

Mindray (UK) Limited
3 Percy Road, St Johns Park, Huntingdon, Cambs,
PE29 6SZ United Kingdom
Voice: (44) 1480-416-840
Fax: (44) 1480-436-588

Mindray Medical France SARL
Europarc Creteil 1 allée des cerisiers 94000 CRETEIL, France
Voice: (33-1) 4513-9150
Fax: (33-1) 4513-9151

Mindray Medical Sweden AB
Rissneleden 136, 174 57 Sundbyberg, Sweden
Voice: (46) 8 555 54 121
Fax: (46) 8 555 54 101
Mindray Medical Rus Co.Ltd
2 Zvenigorodskaya Street, 13, bld 41, 123022 Moscow, Russia
Voice: (7-499) 553-6036
Fax: (7-499) 553-6039

Mindray Medical Colombia S.A.S
Room No.702, Torre UNIKA, Carrera 9 No.77-67, Bogota, Colombia
Voice: (57-1) 3130892 / 3210916

Mindray do Brasil – Comércio e Distribuição de Equipamentos Médicos Ltda.
Rua Tavares Bastos, 329, Perdizes, São Paulo - SP,
CEP 05012-020
Voice: (55-11) 3124-8026
Fax: (55-11) 3078-8035

Mindray Medical Mexico S. de R.L. de C.V.
Félix Parra # 175 Colonia. San José Insurgentes Sur Delegación Benito Juárez 03900 México, D. F.
Voice: (52-55) 5661-9450 / (52-55) 5662-6620
Fax: (52-55) 5662-6597

PT.Mindray Medical Indonesia
The East 11th Floor, Unit 08 Jl. Dr. Ide Anak Agung Gde Agung Kav. E 3.2 No.1 Jakarta 12950
Voice: (6221) 2902-7280
Fax: (6221) 2902-7283

Mindray Medical Egypt
Ground Floor -11 El Imam Metwally El Sharawi Street,
Sheraton Heliopolis - El Nozha, Cairo, Egypt
Voice: (2) 02 22691047
Fax: (2) 02 22691046

Mindray Medical Australia
ADD: 19 Harker St, Eumwood VIC 3125, Australia
Voice: (61-3) 9830 6610
Fax: (61-2) 9550 2841

Mindray Medical Nigeria
ADD: 1004 Estate, Victoria Island, Lagos, Nigeria
Voice: (+234) 7030682053

Mindray Medical India Pvt. Ltd. (Delhi Office)
16th floor, Building No. 9-B, DLF Cyber City, DLF Phase- 3,
Gurgaon- 122002, Haryana
Voice: (91-124) 4632-488
Fax: (91-124) 4632499

Mindray Medical India Pvt. Ltd. (Mumbai office)
B-404, City Point, Andheri Kurla Road, Andheri East, Mumbai,
400 059, India
Voice: (91-22) 4020-0000
Fax: (91-22) 4020-0011

Mindray Medikal Teknoloji Istanbul Ltd. Sti.
KÖYALTI MEVKİİ 29 EKİM CAD.N.1 KUYUMÇUKENT 2.NO.PLZ.3.KT.
D.1- 9 34520 BAĞÇELİEVLER/YENİBOSNA, İSTANBUL, TÜRKİYE
Voice: (90-212) 482 08 77
Fax: (90-212) 482 08 78

Mindray Medikal Teknoloji Istanbul Ltd. Sti. Branch Office Ankara
TURAN GÜNEŞ BULVARI ALEKSANDER DÜBÇEK CAD. NO:18/A
ÇANKAYA/ANKARA, TÜRKİYE
Voice: (90-312) 441 96 92
Fax: (90-312) 441 96 93

Mindray Medical Vietnam Co.Ltd.
Unit 2, 4th Floor, "B" Building, Broadway Office Park,
102 Nguyen Luong Bang Blvd., Tan Phu Ward, Dist. 7, HCMC, Vietnam
Voice: (84) 8 5413-6970
Fax: (84) 8 5413-6971

Mindray Medical Thailand Limited
1768 Thai summit Tower Room 407, 4th floor, New petchaburee Road,
Kwaeng Bangkapi, Khet Huai Khwang, Bangkok 10320, Thailand
Voice: (66) 2652-7288
Fax: (66) 2652-7266



HyLED 7 Series

LED Surgical Lights

Mindray Building, Keji 12th Road South,
High-tech Industrial Park, Nanshan, Shenzhen 518057, P.R. China
Tel: +86 755 8188 8998 Fax: +86 755 26582680
E-mail: intl-market@mindray.com www.mindray.com

mindray | healthcare within reach are registered trademarks or trademarks owned by Shenzhen Mindray Bio-medical Electronics Co., LTD.
©2013 Shenzhen Mindray Bio-Medical Electronics Co., Ltd. All rights reserved. Specifications subject to changes without prior notice.
P/N:ENG-HyLED 7 Series-210285x16P-20170617



mindray
healthcare within reach

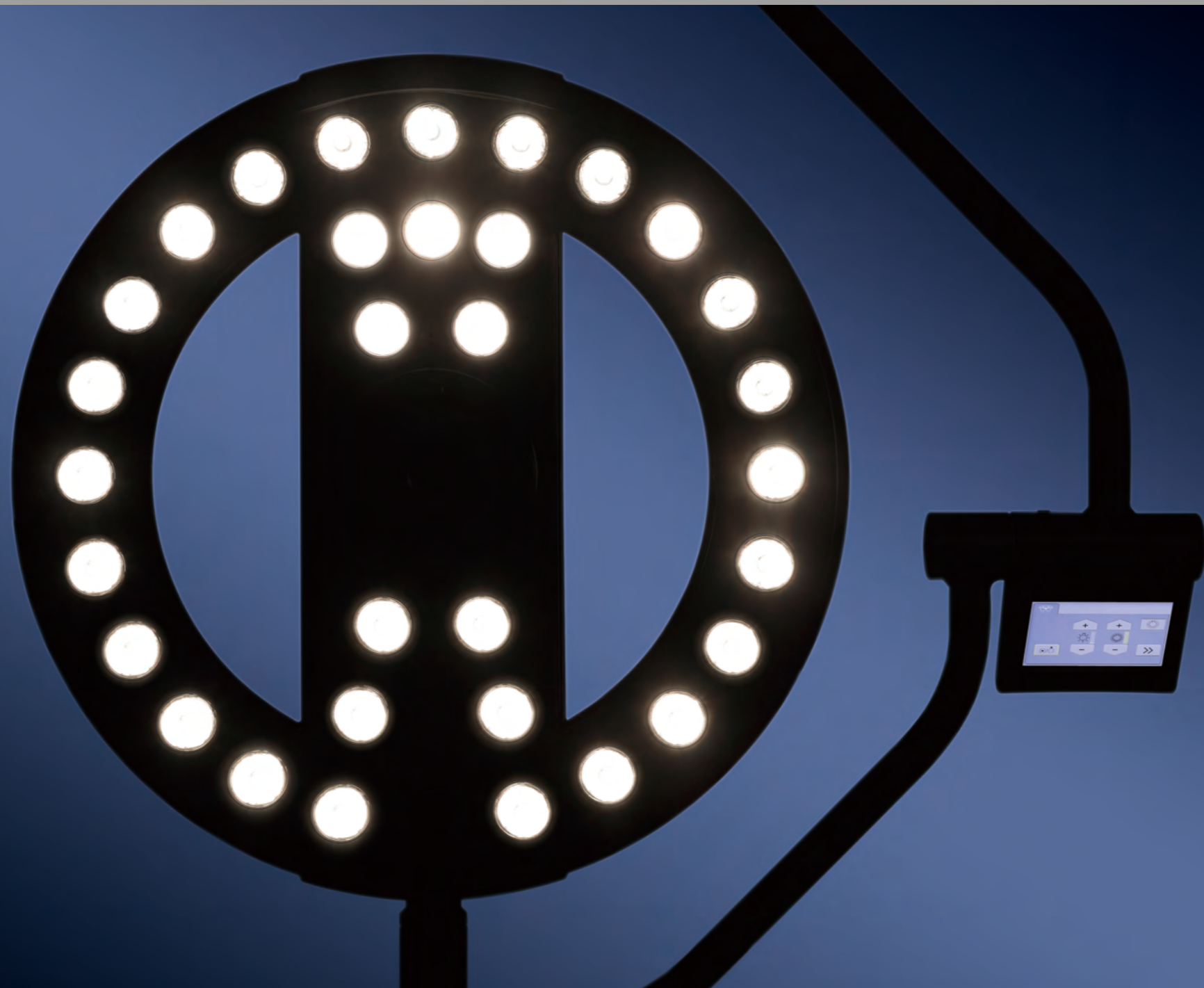
Efficient & Economic
Original & Unique

>>>>>>



A New Generation Surgical Light

HyLED 7 Series



Efficient & Economic

- Incredible long service time up to 60,000 hours
- Central Illumination: 160,000 lux/130,000 lux
- Adjustable light field diameter
- Max. depth of illumination : 1,200 mm
- Low power consumption

Original & Unique

- Perfectly integrated into laminar flow (Certified per DIN-1946 Part 4)
- Touch screen panel for easier control
- 330°rotatable integrated HD/SD camera
- Ultra-thin design & excellent maneuverability
- Ergonomic and compact design less than 12kg

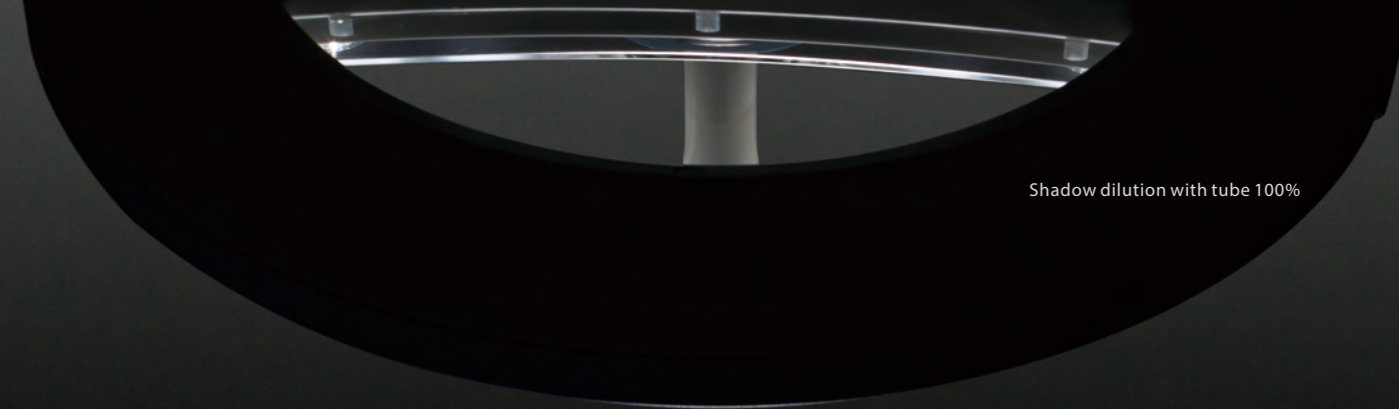


High Performance

Incredible 60,000 hours service time
Natural "cold light" with no infrared components.
With a minimum lifetime of 60,000 hours, each latest generation LED illuminates far longer than traditional light sources .

Easier and less costly maintenance
Each LED bulb with individual circuit can be replaced respectively, which will minimize the maintenance cost.

60,000 hours



Shadow dilution with tube 100%

Shadow-free

The HyLED 7 Series surgical light inherits the advanced technology from the HyLED 9 series and shows excellent shadow management function.

The professional shadow dilution experiment simulated extreme situations by using tubes and masks proved that Mindray HyLED 7 Series surgical light has sufficient illumination even in extreme situations.



Shadow dilution with one mask 75%



Shadow dilution with tube and one mask 70%



Shadow dilution with two masks 55%

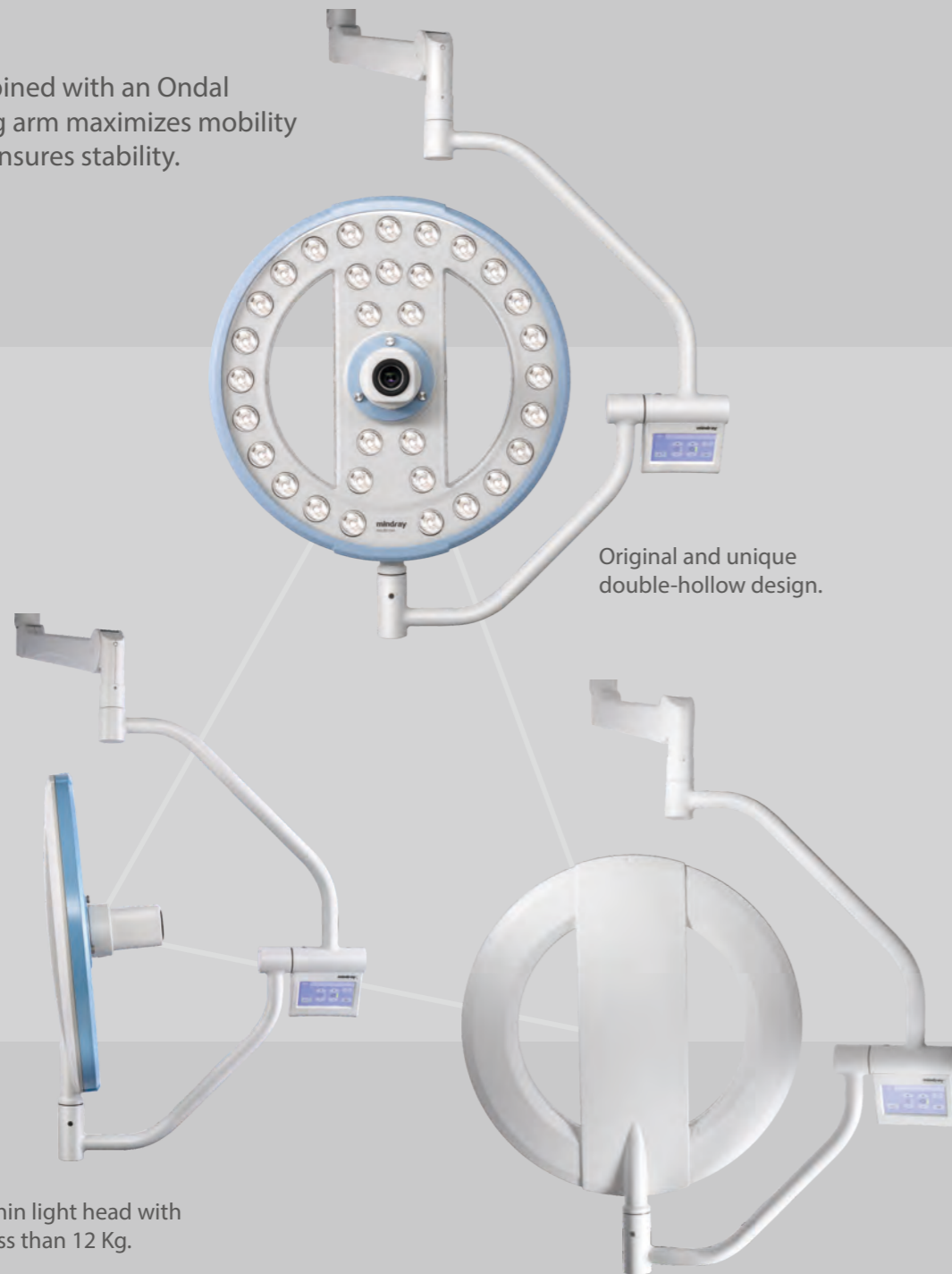


Shadow dilution with tube and two masks 50%

Ergonomic and Compact Design Perfectly Integrated Into Laminar Flow

The ultra-thin concentrically circular design for better hygiene

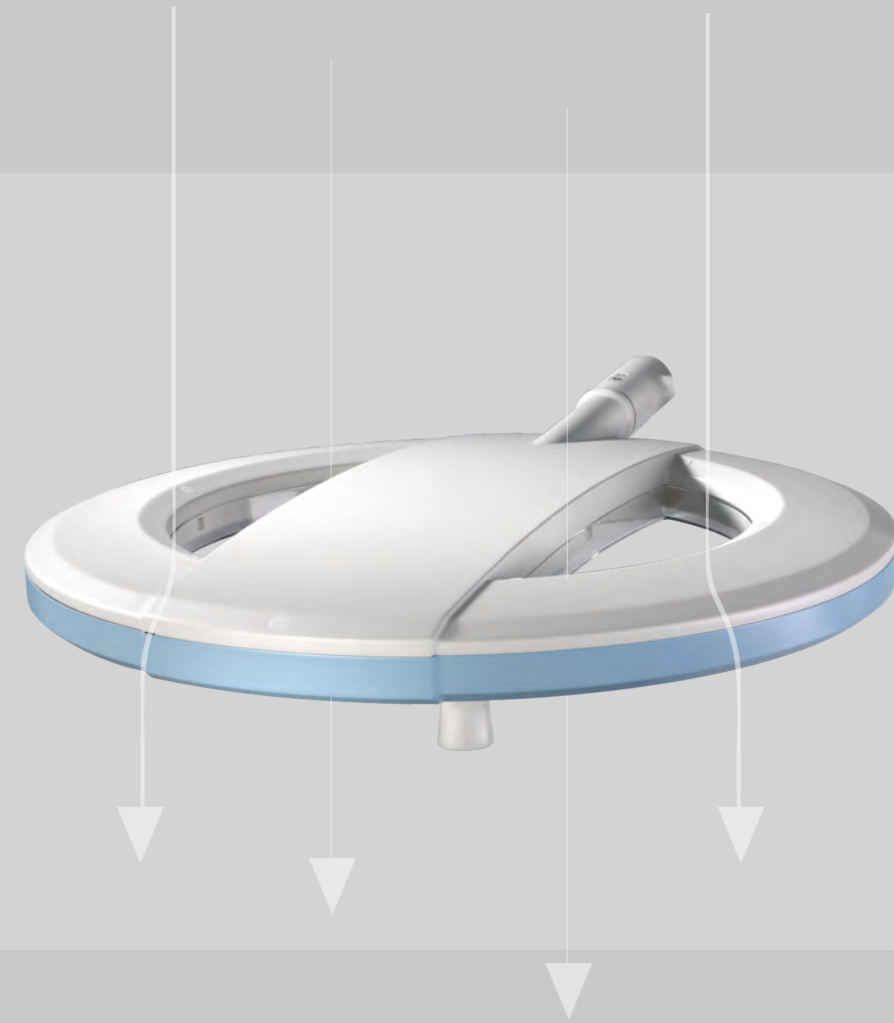
Combined with an Ondal spring arm maximizes mobility and ensures stability.



Original and unique double-hollow design.

Ultra-thin light head with only less than 12 Kg.

Smooth, metal back cover of the light head.



The design minimizes the turbulence, and allows better sterile conditions.

DIN-1946 Part 4 certificated. (12-2008)



Camera System for Communication

The camera system provides better communication and documenting solutions.

The camera system integrated with the surgical lights also provides a platform for medical research purpose, teaching communication and video documenting.

Centrally-located standard definition camera with 330°



Digital video recorder

- Supporting external USB storage device
- Supporting HDMI/YPbPr/HD-SDI/DVI-D/VGA input signal
- Default with camera control function
- Supporting video recording from other medical devices source



Carrier Arm Camera/Integrated Camera		Integrated SD Camera	
Picture Elements	Two Mega Pixels HD Camera	Picture Elements	400,000 Pixels
Optical Zoom	10 X (f=5.1-50.1mm, F=1.8-2.1)	Lens	28zoom=3.5mm(WIDE) to 98.0mm(TELE),F1.35p to F3.7
Digital Zoom	12 X (120X with optical zoom)	Digital Zoom	12 x (324 x with optical zoom)
S/N Ratio	>50dB	S/N Ratio	50dB
Electric shutter	1/2-1/10,000s	Electric shutter speed	1/4-1/10,000 sec
Video Output	Component	Video Output	FBAS(Composite Video)

Easy and Intuitive Control



Touch screen panel (optional)

Several functions can be adjusted electronically through the touch screen panel:

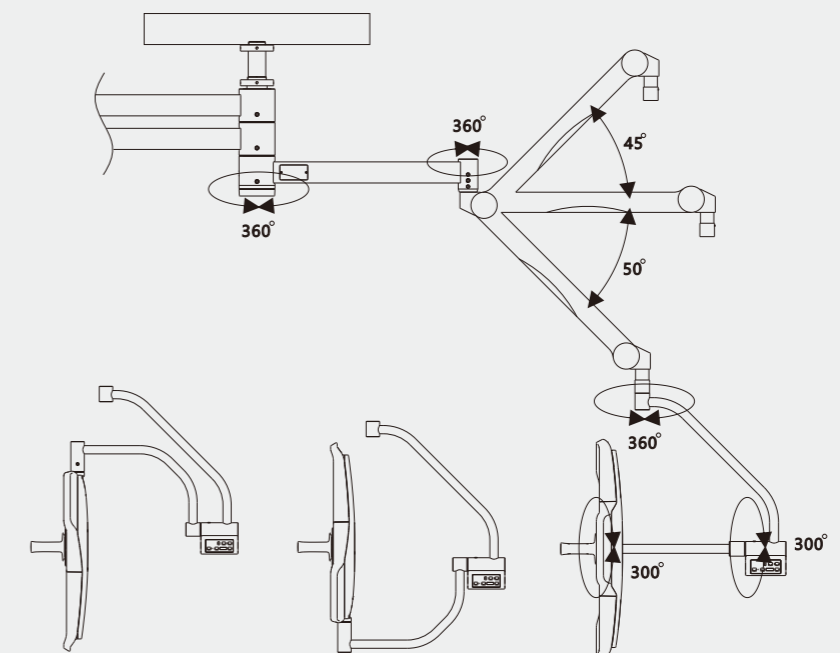
- Switch on/off
- Illumination intensity
- Light field diameter
- Ambient mode for endoscopy
- Cameral control

Traditional control panel

- Wall control
- Remote controller for camera

Technical Specifications

	HyLED 760	HyLED 730
Central illuminance(at 1m distance)	160,000 lux	130,000 lux
Light field diameter(at 1m distance)	180~300 mm	180~270 mm
Depth of illumination(L1+L2)	1,200 mm	1,200 mm
Correlated color temperature	4,350 K	4,350 K
Color rendering index(Ra)	96	96
Color rendering index(R9)	97	97
Shadow dilution with tube	100%	100%
Shadow dilution with one mask	75%	70%
Shadow dilution with tube and one mask	70%	65%
Shadow dilution with two masks	55%	55%
Shadow dilution with tube and two masks	50%	50%
Ambient illumination	8,000 lux	6,500 lux
Service life of bulb	>60,000 h	>60,000 h
Bulb power consumption	85 W	65 W
Power supply	100~240 VAC, 50/60 Hz	100~240 VAC, 50/60 Hz
Number of LED bulbs	32	24
Dimming range	5~100%	5~100%
Light head dimension	600 mm	600 mm
Integrated Camera	Optional	No
Carrier-arm Camera	Optional	Optional





Mindray OR Total Solution

All the advanced and reliable facilities from Mindray technology are perfectly matched to customize your needs and provide total support.